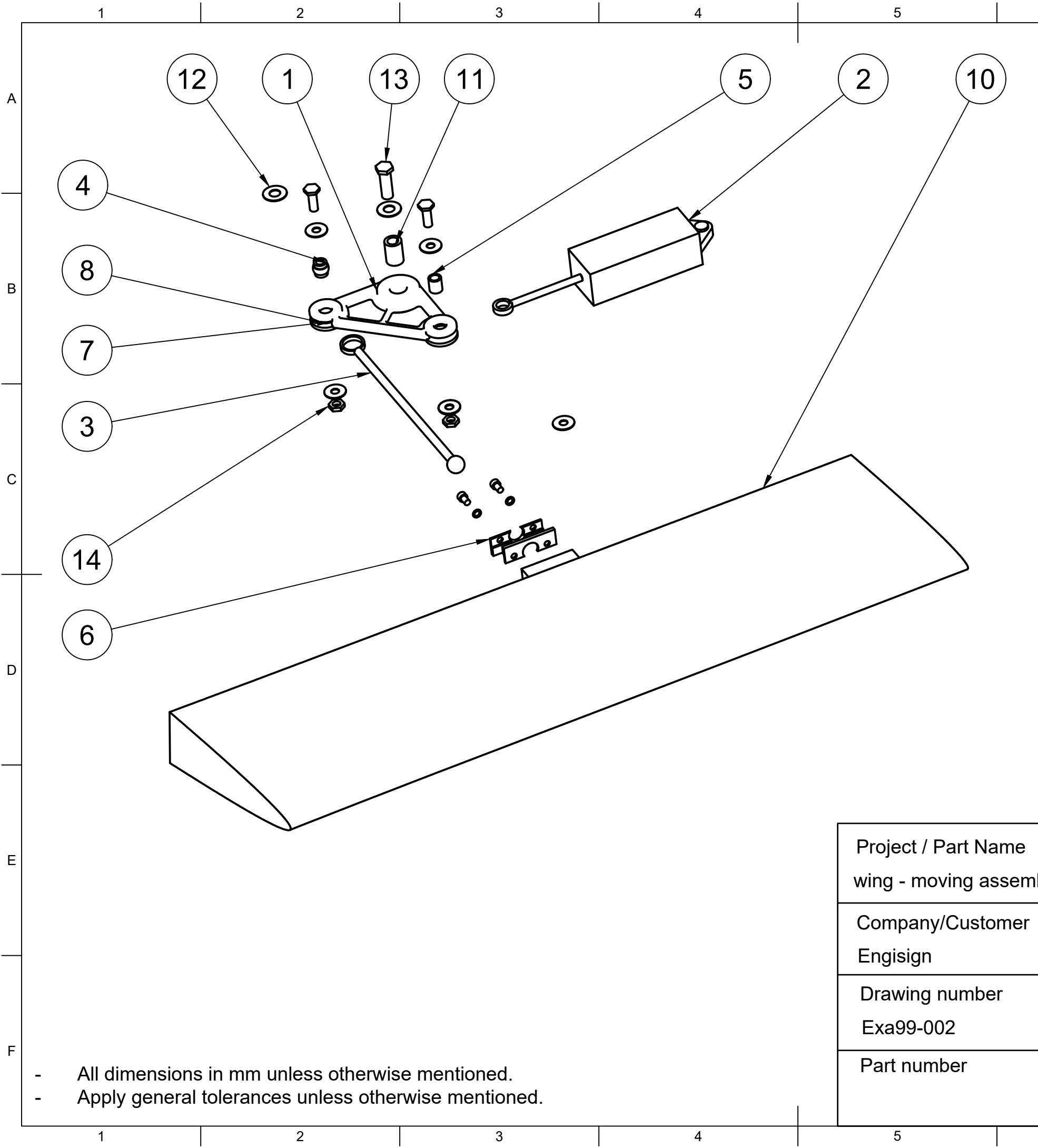


Revision		
Main design	1.1.20	REV A

Project / Part Name wing - moving assembly	Designer / Date Oleg Engisign	Material
Company/Customer Engisign	Checked by / Date	Finish
Drawing number Exa99-001	Approved / Date	General Tolerances Surface roughness:
Part number N.A.	Size A3	Scale 1:15
		Liniar: Angular:

- All dimensions in mm unless otherwise mentioned.  
 - Apply general tolerances unless otherwise mentioned.



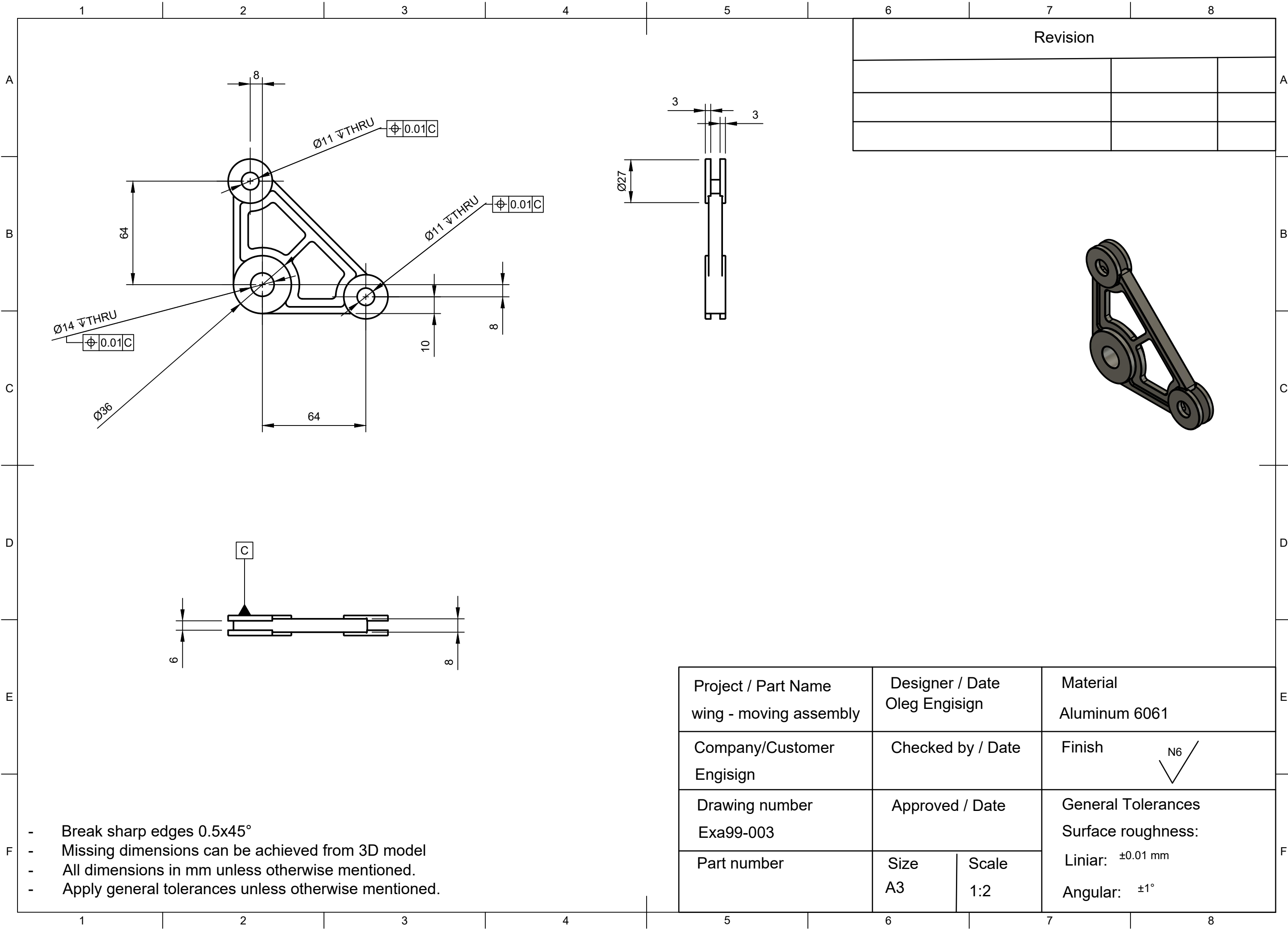
Revision		

14	Nuts
13	Bolt (2)
12	Washer (3)
11	Bushing
10	Flaper
8	Ball brackets (1)
7	Ball brackets
6	Bracket
5	Connector cylinder-to-rotator
4	Connector rotator-to-rod
3	Wing rod (1)
2	Cylinder (1)
1	Rotator

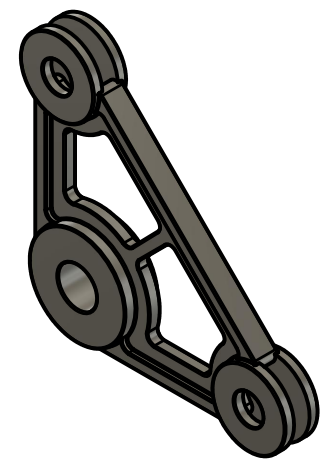
Item	Part Number
Parts List	

Project / Part Name wing - moving assembly	Designer / Date Oleg Engisign	Material
Company/Customer Engisign	Checked by / Date	Finish
Drawing number Exa99-002	Approved / Date	General Tolerances Surface roughness:
Part number	Size A3	Scale 1:15
		Liniar: Angular:

- All dimensions in mm unless otherwise mentioned.  
- Apply general tolerances unless otherwise mentioned.



Revision		



Project / Part Name wing - moving assembly	Designer / Date Oleg Engisign	Material Aluminum 6061
Company/Customer Engisign	Checked by / Date	Finish N6 ✓
Drawing number Exa99-003	Approved / Date	General Tolerances Surface roughness: Liniar: ±0.01 mm Angular: ±1°
Part number	Size A3	Scale 1:2

- Break sharp edges 0.5x45°
- Missing dimensions can be achieved from 3D model
- All dimensions in mm unless otherwise mentioned.
- Apply general tolerances unless otherwise mentioned.